

4

3

2

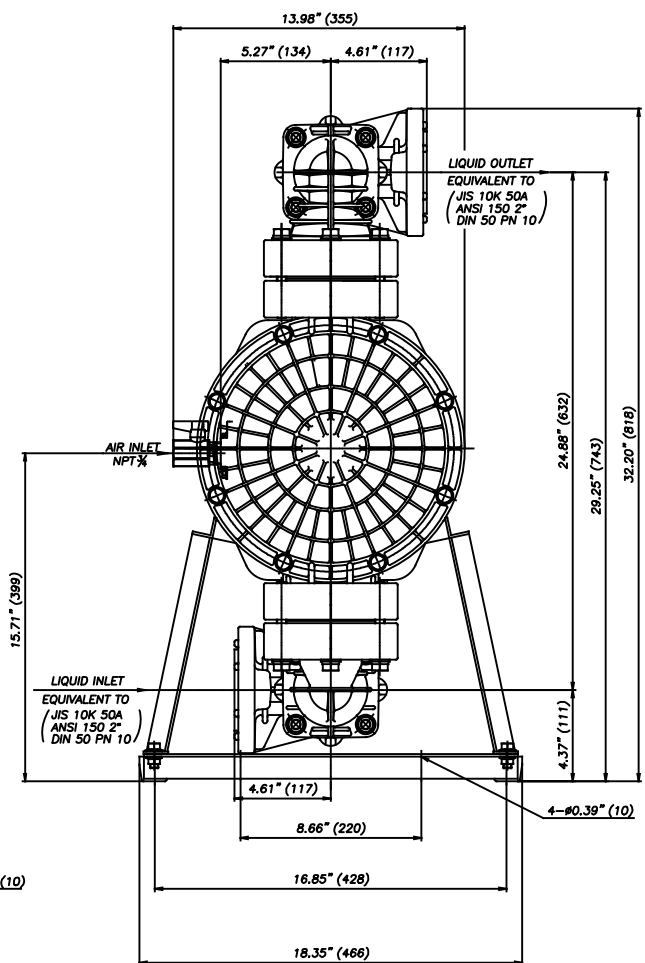
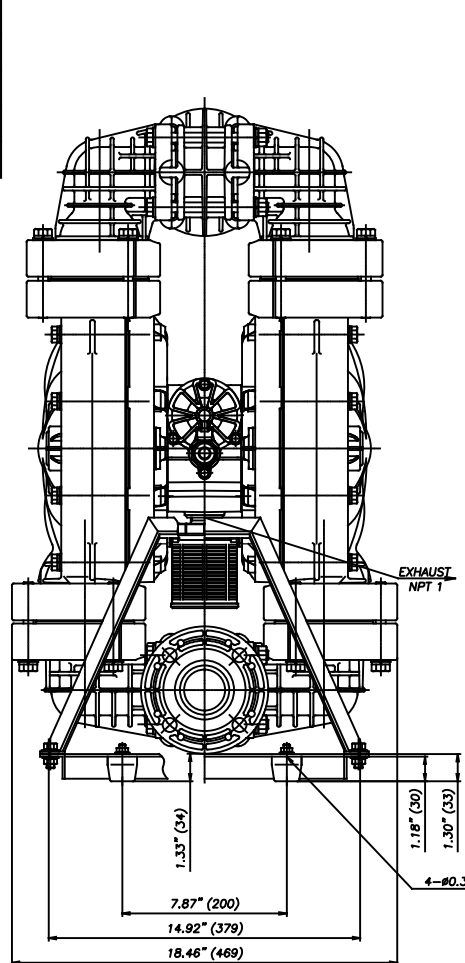
1

### Materials of Construction



PUMP BODY MATERIAL	P=PPG
DIAPHRAGM MATERIAL	C=CR
	N=NBR
	T=PTFE
	H=TPEE
	S=TPO
	V=FKM
	E=EPDM

### REVISIONS

REV	DESCRIPTION	DATE	APPROVED
A	RELEASED	01/15/2026	JP



NOTES:  
1. SOME FEATURES MAY VARY SLIGHTLY.

<b>PROPRIETARY</b> THIS DRAWING CONTAINS CONFIDENTIAL INFORMATION PROPRIETARY TO IWAKI AMERICA. IT MUST NOT BE REPRODUCED OR FORWARDED TO OTHERS OR USED IN ANY OTHER WAY, IN WHOLE OR IN PART, UNLESS AUTHORIZED IN WRITING BY IWAKI AMERICA.		<b>TOLERANCES</b> DIMENSIONS IN INCHES (MM)		 www.IwakiAir.com	5 Boynton Rd. Hopping Brook Park Holliston, MA 01746 (508) 429-1440
		UNLESS OTHERWISE NOTED X = .050 .XX = .010 .XXX = .00			
<b>MATERIAL</b> SEE CHART					
<b>BY</b> BA	<b>DATE</b> 01/15/2026	<b>SIZE</b> B	<b>DWG NO.</b> TC-X00209	<b>DESCRIPTION</b> TC-X500G_A	<b>REV</b> A
<b>APPROVED</b> JP	<b>DATE</b> 01/15/2026	<b>SCALE:</b> FULL		 <b>THIRD ANGLE PROJECTION</b>	<b>SHEET:</b> 1 OF 1

4

3

2

1